

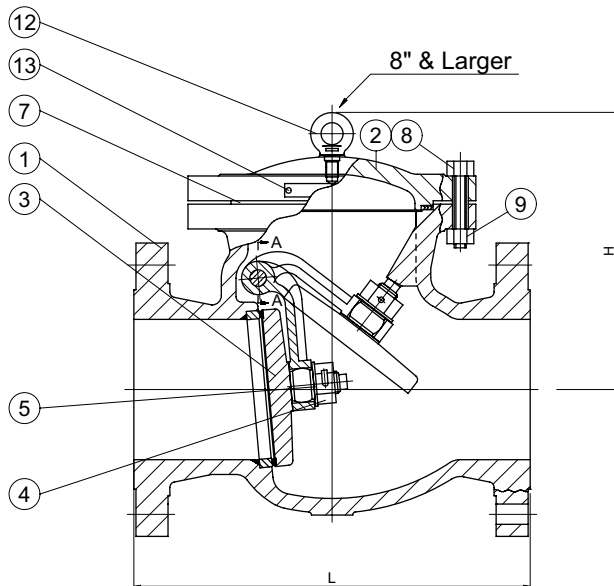
Fig No:SF-150 1/2"~12"
DN15~DN600

Features:

- Swing type design
- Bolted Bonnet
- Body and Bonnet joint accurately machined, Full enclosed gasket
- Disc-Robust one-piece construction to withstand the severe shock of check valve service
- Disc assembly-All parts are accessible from top for easy servicing
- 2" and larger integral Stellite seat face available for longer service life (option)
- Seat face stellite, ground and lapped to a mirror finish

Standard compliance:

- Valve design according to ASME/ANSI B16.34, BS 1868
- Shell wall Thickness according to ASME/ANSI B16.34 class 150
- Pressure-temperature rating according to ASME/ANSI B16.34
- Material according to ASTM
- Face to Face according to ASME/ANSI B16.10 class 150 RF
- Flanged dimension according to ASME/ANSI B16.5 class 150 RF, Finish 125-250 AARH
- Pressure testing according to API 598



DIMENSIONS unit:mm

SIZE	L	H
1/2"	108.0	63.0
3/4"	117.0	66.0
1"	127.0	75.0
1-1/2"	165.0	85.0
2"	203.0	142.0
2-1/2"	216.0	148.0
3"	241.0	161.0
4"	292.0	187.0
6"	356.0	287.0
8"	495.0	361.0
10"	622.0	393.0
12"	699.0	428.0

MATERIAL LIST

NO	Part Name	Material
1	Body	ASTM A351 GR.CF8M
2	Cover	ASTM A351 GR.CF8M
3	Disc	ASTM A351 GR.CF8M
4	Disc Nut	ASTM A194 GR.8M
5	Disc Washer	ASTM A276 GR.316
6	Swing Arm	ASTM A351 GR.CF8M
7	Gasket	PTFE
8	Cover Bolt	ASTM A193 GR.B8
9	Cover Bolt Nut	ASTM A194 GR.8
10	Plug	ASTM A276 GR.316
11	Hinge Pin	ASTM A276 GR.316
12	Lifting Ring	A36+ZN PLATE
13	Name Bolt	SS304

Other Materials Also Available On Requested